

EDF-G1002-BP Series

2-port Gigabit industrial next-generation LAN firewalls

Preliminary



Features and Benefits

- Bump-in-the-wire installation without impacting the network
- Gen3 LAN Bypass for system fault tolerance
- Industrial-grade Intrusion Prevention/Detection System (IPS/IDS)
- Examine industrial protocol data with Deep Packet Inspection (DPI) technology
- Supports secure boot for checking system integrity
- Check firewall policy misconfiguration with just one click
- Supports MXstudio for easy, visualized industrial network management

Certifications



Introduction

The EDF-G1002-BP Series is an industrial-grade LAN firewall with IPS and DPI functionality to protect mission-critical assets and network zones. These industrial firewalls support software-configurable Gen3 LAN bypass to achieve bump-in-the-wire installation and minimize the installation impact for industrial applications such as ITS, pump-and-treat systems in water stations, distributed control systems in oil and gas, and PLC/SCADA systems in factory automation.

Dynamically Prevent Malicious Cyber Threat Activity With IPS/IDS

The EDF-G1002-BP Series is designed to protect mission-critical assets at the OT network edge with advanced intrusion prevention and detection systems (IPS/IDS). It analyzes network traffic in the background and enables behavior monitoring and awareness of cyber activities. These firewall devices support both a “Monitor” and “Protect” mode to facilitate different OT scenarios. “Monitor” mode gives administrators full visibility of cyberthreat activities on the network. If a threat is detected, administrators can easily switch to “Protect” mode to block and contain any malicious operations.

Industrial Deep Packet Inspection for Mission-critical Assets

The EDF-G1002-BP Series supports advanced Deep Packet Inspection (DPI) technology, providing awareness of industrial protocol data and allowing for granular command of control system traffic to critical controllers.

Virtual Patching and Intelligent Threat Protection

Frequent patching boosts protection against cyberthreats. However, patching continues to be a major challenge in OT environments because OT applications cannot afford to interrupt operations by shutting down systems to apply patches. Virtual patching technology can help complement existing patch management processes by shielding known and unknown vulnerabilities. Virtual patching acts as an agentless emergency security tool that OT administrators and operators can use to quickly address vulnerabilities on affected OT equipment. The EDF-G1002-BP Series provides advanced protection against threats with up-to-date threat information and guards your systems against undisclosed and zero-day threats.

Centralized Network Security and Policy Management

The EDF-G1002-BP Series helps administrators and operators understand the real-time status of OT systems. When connected to Moxa's MXsecurity centralized security management platform, administrators can manage and monitor all the intrusion prevention systems from a single space. MXsecurity provides an efficient way to monitor security assets, and execute policy, firmware, configuration, and pattern updates.

Specifications

Input/Output Interface

Alarm Contact Channels	Resistive load: 1 A @ 24 VDC
Buttons	Reset button
Digital Input Channels	+13 to +30 V for state 1 -30 to +3 V for state 0 Max. input current: 8 mA

Ethernet Interface

10/100/1000BaseT(X) Ports (RJ45 connector)	3 (2 x LAN ports, 1 x MGMT port)
Standards	IEEE 802.3 for 10BaseT IEEE 802.3u for 100BaseT(X) IEEE 802.3ab for 1000BaseT(X) IEEE 802.3x for flow control

LED Interface

LED Indicators	PWR1, PWR2, STATE, BYPASS, USB
----------------	--------------------------------

DoS and DDoS Protection

Technology	ARP-Flood FIN Scan ICMP Flood TCP Sessions Without SYN NMAP-ID Scan NMAP-Xmas Scan Null Scan SYN/FIN Scan SYN/RST Scan SYN-Flood Xmas Scan
------------	--

Firewall

Throughput	Max. 45K packets per second/500 Mbps (based on RFC 2544)
Filter	DDoS Ethernet protocols ICMP IP address MAC address Ports
Intrusion Prevention System	Enabled by default. IPS pattern update functionality requires an additional license.
Deep Packet Inspection	Modbus TCP Modbus UDP DNP3 IEC 60870-5-104 IEC 61850 MMS EtherNet/IP Omron FINS Siemens S7 Comm. Additional protocols will be supported through future firmware updates.

Real-time Firewall Event Log

Event Type	Firewall events Protocol DPI and IDS/IPS events
Media	Syslog server Local storage SNMP Trap

Serial Interface

Console Port	RS-232 (TxD, RxD, GND), 3-pin (115200, n, 8, 1)
Connector	USB Type-C

Power Parameters

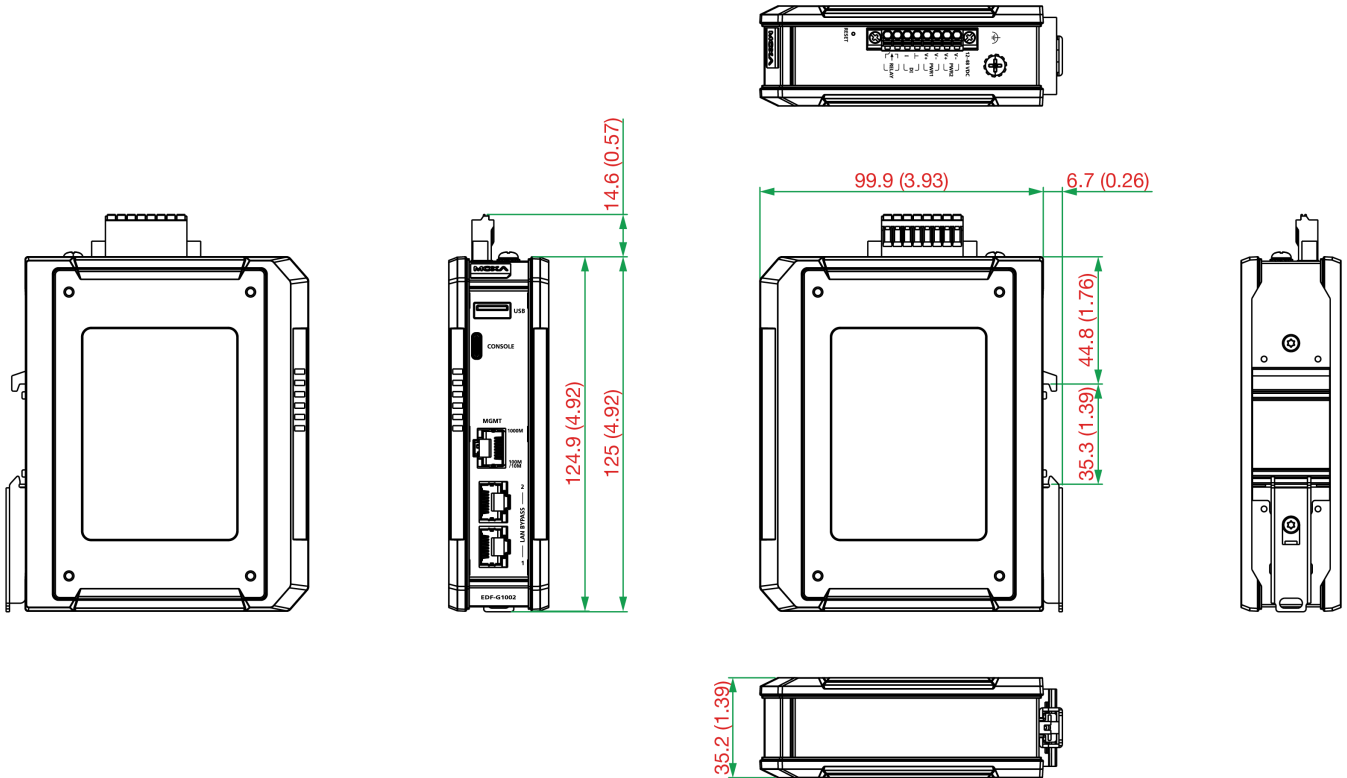
Connection	Removable terminal block
Operating Voltage	9.6 to 60 VDC
Input Voltage	12/24/48 VDC Redundant dual inputs

Input Current	0.69 A (max)
Reverse Polarity Protection	Supported
Physical Characteristics	
Housing	Metal
Dimensions	35 x 125 x 100 mm (1,38 x 4.92 x 3.94 in)
Weight	385 g (0.85 lb)
Installation	DIN-rail mounting Wall mounting
Environmental Limits	
Operating Temperature	Standard Models: -10 to 60°C (14 to 140°F) Wide Temp. Models: -40 to 75°C (-40 to 167°F)
Storage Temperature (package included)	-40 to 85°C (-40 to 185°F)
Ambient Relative Humidity	5 to 95% (non-condensing)
Standards and Certifications	
Safety	IEC 62368-1 UL 62368-1
EMC	EN 55032/35
EMI	CISPR 32, FCC Part 15B Class A
EMS	IEC 61000-4-2 ESD: Contact: 6 kV; Air: 8 kV IEC 61000-4-3 RS: 80 MHz to 1 GHz: 20 V/m IEC 61000-4-4 EFT: Power: 2 kV; Signal: 2 kV IEC 61000-4-5 Surge: Power: 2 kV; Signal: 2 kV IEC 61000-4-6 CS: 10 V IEC 61000-4-8 PFMF
Railway	EN 50121-4
Traffic Control	NEMA TS2
Shock	IEC 60068-2-27
Freefall	IEC 60068-2-32
Vibration	IEC 60068-2-6
MTBF	
Time	2,929,641 hrs
Standards	Telcordia (Bellcore), GB
Warranty	
Warranty Period	5 years
Details	See www.moxa.com/warranty
Package Contents	
Device	1 x EDF-G1002-BP Series industrial LAN firewall
Cable	1 x DB9 female to USB Type-C

Installation Kit	1 x DIN-rail kit 1 x cap, plastic, for USB Type-A port
Documentation	1 x quick installation guide 1 x warranty card

Dimensions

Unit: mm (inch)



Ordering Information

Model Name	10/100/1000BaseT(X) Ports (RJ45 Connector)	10/100/1000BaseT(X) MGMT Ports (RJ45 Connector)	MXsecurity Support	Operating Temperature
EDF-G1002-BP	2	1	✓	-10 to 60°C
EDF-G1002-BP-T	2	1	✓	-40 to 75°C

Accessories (sold separately)

Storage Kits

ABC-02-USB	Configuration backup and restoration tool, firmware upgrade, and log file storage tool for managed Ethernet switches and routers, 0 to 60°C operating temperature
ABC-02-USB-T	Configuration backup and restoration tool, firmware upgrade, and log file storage tool for managed Ethernet switches and routers, -40 to 75°C operating temperature

Mounting Kits

WK-40-01	Wall-mounting kit, 2 plates, 6 screws, 40 x 58 x 2 mm
----------	---

Software

LIC-MXsecurity-NEW-XN-SR	MXsecurity perpetual node license with customizable node quantity (minimum 1 node)
LIC-IPS-MXsecurity-NEW-1Y-XN-SR	1-year IPS license for MXsecurity with customizable node quantity (minimum 1 node)
LIC-IPS-MXsecurity-NEW-XM-XN-DMR	IPS license for MXsecurity with customizable duration and node quantity (minimum 1 month, minimum 1 node)

LIC-IPS-MXsecurity-RENEW-1Y-XN-SR	1-year IPS renewal license for MXsecurity with customizable node quantity (minimum 1 node)
LIC-IPS-MXsecurity-RENEW-XM-XN-DMR	IPS renewal license for MXsecurity with customizable duration and node quantity (minimum 1 month, minimum 1 node)
LIC-IPS-MXsecurity-ADD-1Q-XN-SR	3-month IPS add-on license for MXsecurity with customizable node quantity (minimum 1 node)
LIC-IPS-MXsecurity-ADD-2Q-XN-SR	6-month IPS add-on license for MXsecurity with customizable node quantity (minimum 1 node)
LIC-IPS-MXsecurity-ADD-3Q-XN-SR	9-month IPS add-on license for MXsecurity with customizable node quantity (minimum 1 node)
LIC-IPS-MXsecurity-ADD-4Q-XN-SR	1-year IPS add-on license for MXsecurity with customizable node quantity (minimum 1 node)
LIC-IPS-MXsecurity-ADD-XM-XN-DMR	IPS add-on license for MXsecurity with customizable duration and node quantity (minimum 1 month, minimum 1 node)
LIC-IPS-DEVICE-RENEW-1Y-1N-MR	1-year device-based IPS renewal license
LIC-IPS-DEVICE-NEW-1Y-1N-MR	1-year device-based IPS license

© Moxa Inc. All rights reserved. Updated Jul 23, 2024.

This document and any portion thereof may not be reproduced or used in any manner whatsoever without the express written permission of Moxa Inc. Product specifications subject to change without notice. Visit our website for the most up-to-date product information.